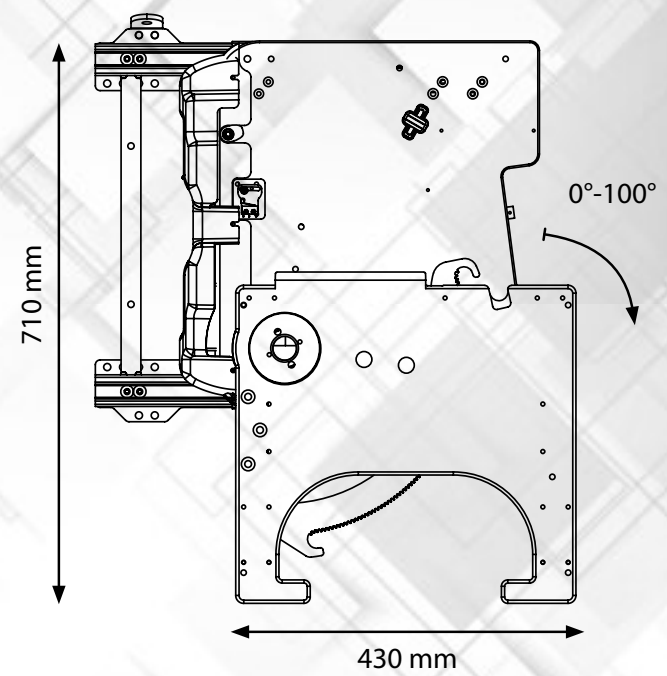
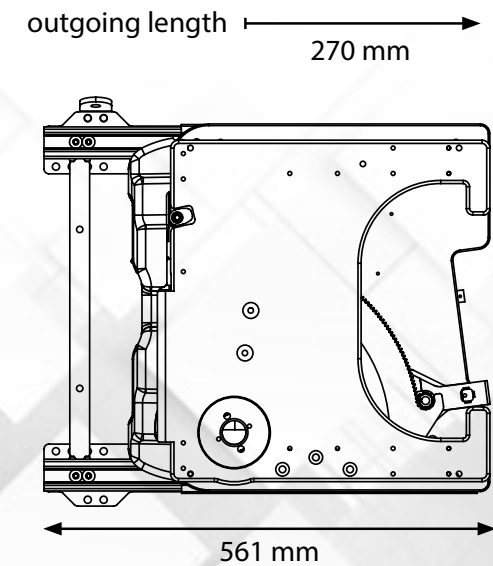
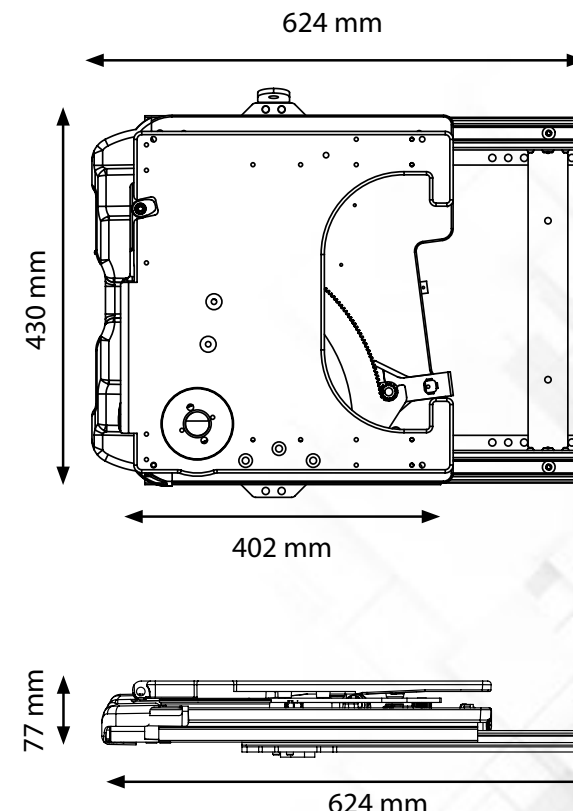




emergency release  
electric version



### SWIVEL BASE FOR SEAT

The swivel base is a transport device that makes it easier for people with reduced mobility to leave the vehicle. The swivel base is made entirely of aluminum with an industrial die-casting process and is characterized by the lightness and perfection of both coupling and rotation mechanisms. It can be installed on both the driver and passenger side. The peculiarities of the swivel base are a reduced thickness of 40 mm and a rotation of 110°. The electric version allows a 270 mm translation: this retraction stroke makes the transport comfortable even for strong and tall people.

#### MOUNTING KIT

To facilitate the installation of the swivel base, various installation kits are available, such as brackets, bases for expanding the seat and mobile guides: in this way the range of vehicles on which it is possible to install the device is extended.

